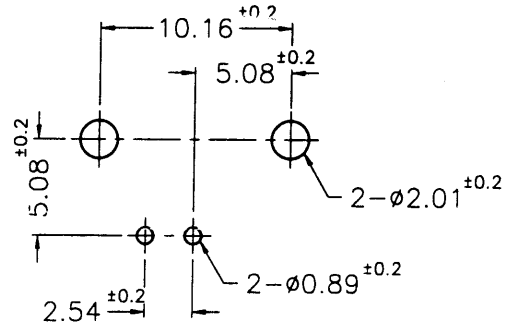


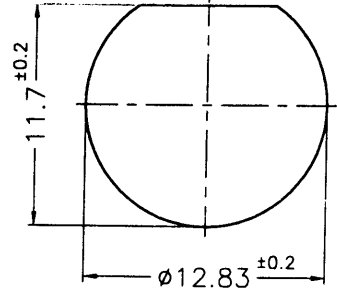
1 2 3 4 5 6 7 8

REVISIONS		
ISS	ZONE	DESCRIPTION \ PER REQUEST \ DATE
A1	C-2	DIMENSIONS WERE CHANGED \ N/A \ 03-14-01'
A2	ALL	DIMENSIONS WERE CHANGED \ N/A \ 05-03-02'

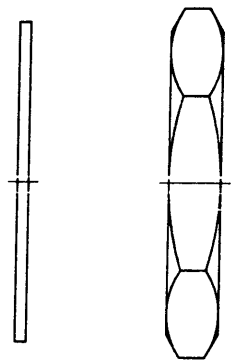
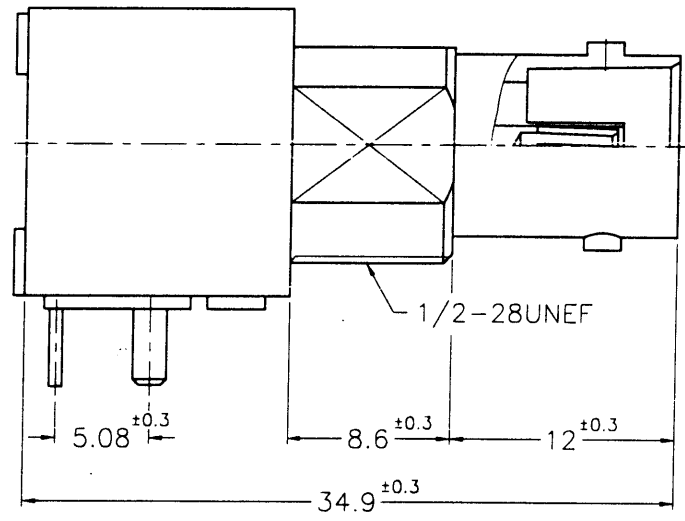
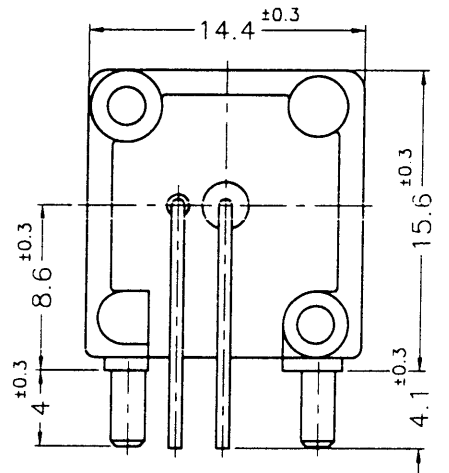
SALES



PCB MOUNTING HOLE
(印刷電路板架設孔)



RECOMMENDED MOUNTING HOLE
(建議架設孔)



MAX. PANEL THICKNESS=5mm

- NOTES: FINISH (PLATING THICKNESS IN MICRO-INCHES)
- BRASS PER QQ-B-626
 - NICKEL PL. 80 MIN. THICK OVER COPPER STRIKE
 - NICKEL PL. 100 MIN. THICK OVER ZINC ALLOY
 - PHOSPHOR BRONZE PER QQ-B-750
 - GOLD FLASH AT MATING AREA
 - TIN-LEAD PL. 100 MIN. THICK AT TAIL.
 - ZINC DIECAST
 - POLYPROPYLENE UL 94HB
 - TIN PLATING

NO.	DESCRIPTION	MATERIAL	FINISH	Q'TY	DRAWING NO.
	HEX NUT		NOTE 1		
	LOCK WASHER		SS0C		NOTE 2
	MOUNTING POST		NOTE 1		NOTE 8
	POST		COPPER		NOTE 8
	CONTACT PIN		NOTE 4		NOTE 5
	INSULATOR		NOTE 7		NATURAL
	BODY		NOTE 6		NOTE 3

DIMENSIONS ARE IN MILLIMETERS				PART NO.	
UNLESS OTHERWISE SPECIFIED TOLERANCES				APPROVED	DATE
0.5-6	=	±0.2		<i>Angela W</i>	05-03-02'
6-30	=	±0.4			
30-120	=	±0.6		CHECKED	DATE
120-315	=	±1		<i>Angela W</i>	05-03-02'
315-1000	=	±1.6		DRAWN	DATE
1000-2000	=	±2.4		<i>Angela W</i>	05-03-02'
SCALE	2.5/1	ISSUE	A2	FILE NO.	F:\DWG\B\6252HA\75T\NPP3G

Amphenol - Kai Jack	
TAINAN TAIWAN	
TITLE	BNC R/A PC MOUNT RECEPT. JACK
DRAWING NO.	KJ-B6252HA-NPP3G-75T
ITEM NO.	016252AAE07MBOF

F
E
D
C
B
A

F
E
D
C
B
A